

**Suspension device LZ 1010**  
for FL and FM cables

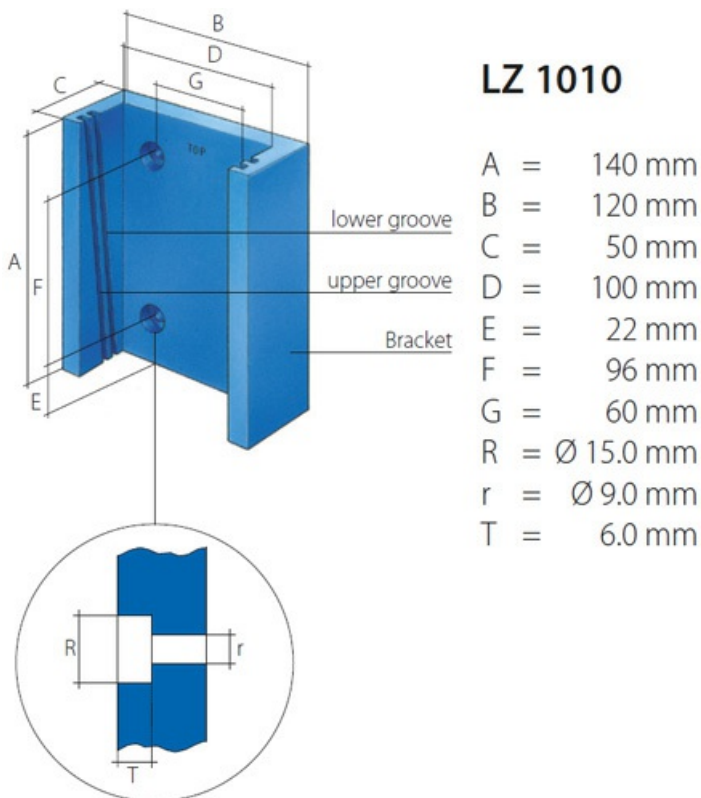


Suspension device LZ 1010

**DESCRIPTION**

Suspension devices for Datwyler FL and FM elevator travelling cables.

**DESIGN**



**APPLICATION**

The cable width, number of cables (cable combinations) to be mounted and travelling height determine the selection of the correct cable suspension device. To this end, please note the maximum clamping thickness of the individual suspension parts.

**CONSTRUCTION**

Material: Aluminium / blue anodised

**VERSIONS**

Article No.	Product	Colour	Cable clamping range maximum [mm]	Width of cable ≤[mm]	Screw holes
As of 16.06.2021					
Subject to technical modification.					

**Suspension device LZ 1010**  
for FL and FM cables



163354

LZ 1010

blue

3 - 12 mm

≤ 80 -100 mm

4